

CUT SHEET DEFINITE PURPOSE 2 POLE 24VAC 40 AMP



sales@contactordepot.com

<https://contactordepot.com/>

General Information

Model: 40A 2 Pole Normally Open (NO) Definite Purpose Contactor

Applications: Lighting, motor control, and general switching. Ideal for use with 120V coil and rated for 500V systems. Suitable for AC-1 loads (resistance furnaces, incandescent lamps) and AC-3 loads (air conditioners, compressors, fans).

Standards Compliance: Fully compliant with IEC/EN standards.

Mounting Type: Compatible with DIN rail 35mm for easy and secure installation.

Technical Specifications

Contactor Type: Normally Open (NO)

Rated Insulation Voltage (Ui): 500V

Rated Operational Voltage (Ue): 400V AC

Coil Voltage (Uc/Us): 24V AC

Frequency: 50/60Hz

Full Load Amps (Inductive): 40A

Full Load Amps (Resistive): 50A

DC Load: 30A @ 24VDC

Power Indicator: Yes

Coil Load:

Inrush: 65VA

Sealed: 7.5VA

IEC AC Rating:

AC-1: 10 kW

AC-3: 8 kW

Operating Temperature: -30°C to +70°C (-22°F to +158°F)

Horsepower Rating:

1 HP @ 1 Phase – 120V

2 HP @ 1 Phase – 230V

5 HP @ 3 Phase – 208V

5 HP @ 3 Phase – 230V

10 HP @ 3 Phase – 480V

Weight: 0.88 lb (0.42 kg)

Mounting: Base or DIN rail 35mm mount

Environmental Specifications

Operating Temperature Range: -30°C to +70°C (-22°F to +158°F)

Compliance: CE approved, UL Certified

Standards Compliance: IEC/EN standards

Physical Specifications

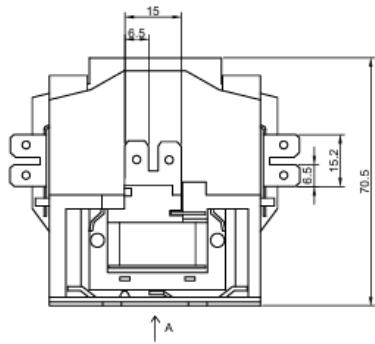
Dimensions: 70 x 50 x 75 mm / 2.75" x 2.00" x 3.00" (Width x Height x Depth)

Mounting: Base or DIN rail

Features

- High Capacity Performance: Rated for 63A resistive and 40A inductive loads, this contactor is designed for reliable performance in HVAC, lighting, and motor control applications.
- Wide Voltage Compatibility: Suitable for 24V DC coil and rated for up to 500V systems, ideal for both residential and industrial applications.
- Efficient and Silent Coil: 65VA inrush and 7.5VA sealed coil ensures low energy consumption with quiet operation.
- Reliable Switching Capacity: Handles up to 8 kW at AC-3 ratings, making it ideal for air conditioners, compressors, and motors.
- Built-in Power Indicator: Includes a visual coil status light for easy troubleshooting and monitoring.
- DIN Rail Mounting: Standard 35mm DIN rail compatible for fast and secure installation.
- Safety Compliance: Meets all international safety standards, including CE and UL, ensuring dependable performance.

Specifications and Wiring Diagram



wiring diagram:

