

CUT SHEET DEFINITE PURPOSE 2 POLE 120VAC 40 AMP



sales@contactordepot.com

<https://contactordepot.com/>

General Information

Model: 40A 2 Pole Normally Open (NO) 600V Definite Purpose Contactor

Applications: Ideal for HVAC, lighting, and refrigeration installations in both residential and commercial settings. Suitable for AC-1 (resistance furnaces, incandescent lamps, electric heaters) and AC-3 (air conditioners, compressors, fans) loads.

Standards Compliance: Fully compliant with IEC/EN standards.

Mounting Type: Compatible with DIN rail 35mm for easy and secure installation.

Technical Specifications

Contactor Type: Normally Open (NO)

Rated Insulation Voltage (Ui): 500V

Rated Operational Voltage (Ue): 600V AC

Coil Voltage (Uc/Us): 120V AC

Coil Load:

Nominal Inrush @ 50Hz: 33VA

Nominal Inrush @ 60Hz: 30VA

Nominal Sealed @ 50Hz: 8VA

Nominal Sealed @ 60Hz: 6.5VA

Maximum Coil Voltage: 132V

Full Load Amps (Inductive): 40A

Full Load Amps (Resistive): 50A

Locked Rotor Amps:

160A @ 240/277VAC

160A @ 480VAC

120A @ 600VAC

Operating Temperature: -40°C to +65°C (-40°F to +150°F)

Horsepower Rating:

2HP @ 1 Phase – 120V

5HP @ 3 Phase – 208V

5HP @ 3 Phase – 230V

10HP @ 3 Phase – 480V

Electric Strength: 2,200 VAC between contacts and coils

Weight: 0.60 lb (0.27 kg)

Compliance: CE approved 61095

Mounting: Base or DIN rail 35mm mount

Environmental Specifications

Operating Temperature Range: -40°C to +65°C (-40°F to +150°F)

Compliance: CE approved, UL Certified

Standards Compliance: IEC/EN standards

Physical Specifications

Dimensions: 70 x 50 x 75 mm / 2.75" x 2.00" x 3.00" (Width x Height x Depth)

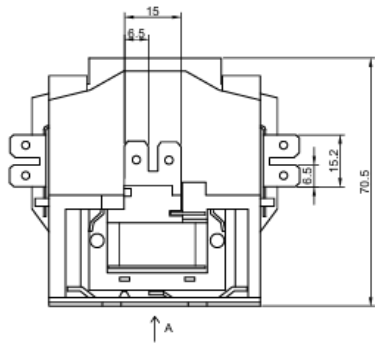
Weight: 0.60 lb (0.27 kg)

Mounting: DIN rail compatible (35mm)

Features

- High Capacity Performance: Rated for 50A resistive and 40A inductive loads, this 2-pole NO contactor is designed for reliable performance in HVAC, lighting, and motor control applications.
- Wide Voltage Compatibility: Supports 120V AC coil and is ideal for 600V systems. Compatible with various inductive and resistive loads.
- Efficient and Silent Coil: 33VA inrush and 8VA sealed coil ensures low energy consumption with quiet operation.
- Reliable Switching Capacity: Handles up to 16 kW at AC-1 ratings, making it ideal for air conditioners, compressors, and motors.
- Built-in Power Indicator: Includes a visual status light for easy troubleshooting and monitoring.
- DIN Rail Mounting: Standard 35mm DIN rail compatible for fast and secure installation.
- Safety Compliance: Meets CE and UL standards for reliable performance in both residential and industrial settings.

Specifications and Wiring Diagram



wiring diagram:

