

CUT SHEET DEFINITE PURPOSE 1 POLE 24VAC 40 AMP



sales@contactordepot.com

<https://contactordepot.com/>

General Information

Model: 40A 1 Pole Normally Open (NO) 24V Definite Purpose Contactor

Applications: Ideal for HVAC, lighting, and refrigeration installations in both residential and commercial settings. Suitable for AC-1 loads (resistance furnaces, incandescent lamps, electric heaters) and AC-3 loads (air conditioners, compressors, fans).

Standards Compliance: Fully compliant with IEC/EN standards.

Mounting Type: Compatible with DIN rail 35mm for easy and secure installation.

Technical Specifications

Contactor Type: Normally Open (NO)

Rated Insulation Voltage (Ui): 500V

Rated Operational Voltage (Ue): 400V AC

Coil Voltage (Uc/Us): 24V AC

Frequency: 50/60Hz

Full Load Amps (Inductive): 40A

Full Load Amps (Resistive): 50A

DC Load: 30A @ 24VDC

Power Indicator: Yes

Coil Load:

Inrush: 65VA

Sealed: 7.5VA

IEC AC Rating:

AC-1: 10 kW

AC-3: 8 kW

Operating Temperature: -30°C to +70°C (-22°F to +158°F)

Horsepower Rating:

1 HP @ 1 Phase – 120V

2 HP @ 1 Phase – 230V

5 HP @ 3 Phase – 208V

5 HP @ 3 Phase – 230V

10 HP @ 3 Phase – 480V

Mounting: Base or DIN rail 35mm mount

Environmental Specifications

Operating Temperature Range: -30°C to +70°C (-22°F to +158°F)

Compliance: CE approved, UL Certified

Standards Compliance: IEC/EN standards

Physical Specifications

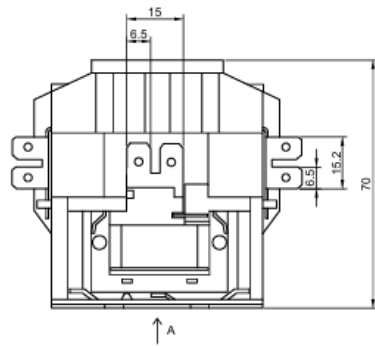
Dimensions: 70 x 50 x 75 mm / 2.75" x 2.00" x 3.00" (Width x Height x Depth)

Mounting: Base or DIN rail

Features

- High Capacity Performance: Rated for 50A resistive and 40A inductive loads, this 1-pole NO contactor is designed to handle HVAC, lighting, and refrigeration applications.
- Wide Voltage Compatibility: Supports 24V AC coil and is ideal for 500V systems. Compatible with various inductive and resistive loads.
- Efficient and Silent Coil: 65VA inrush and 7.5VA sealed coil ensures low energy consumption with quiet operation.
- Reliable Switching Capacity: Handles up to 8 kW at AC-3 ratings, making it ideal for air conditioners, compressors, and motors.
- Built-in Power Indicator: Includes a visual status light for easy troubleshooting and monitoring.
- DIN Rail Mounting: Standard 35mm DIN rail compatible for fast and secure installation.
- Safety Compliance: Meets CE and UL standards for reliable performance in both residential and industrial settings.

Specifications and Wiring Diagram



wiring diagram:

